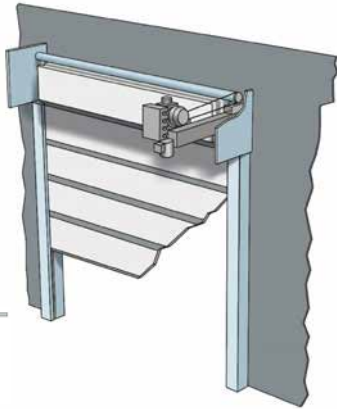


FIRE STACKING BARRIER A-60

PRODUCT OVERVIEW



Safety

- > Fall arrestor according to EN 12604.
- > Shutter will close without electrical power in case of fire (gravity failsafe).
- > Release device delivered with backup battery to keep the shutter open, even in case of main power supply failure for up to 1 hour.
- > Shutter only for bulkhead closure.

Interfaces

- > Connection to Central Fire Alarm system:
 - > Open indication
 - > Close indication
 - > General alarm
 - > Remote closing

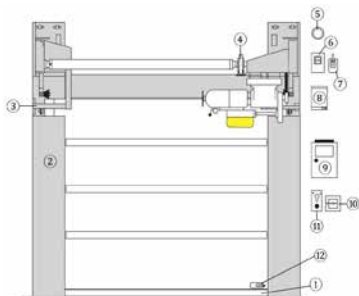
Services

- > Including technical evaluation of requirements and SOLAS standards.
- > Worldwide installation according to our service conditions, if required.
- > Worldwide service and supply of spare parts, maintenance and repair.

Documentation

- > Certificates (DNV Module B & D, SDoC, DoC)
- > Instruction manuals
- > Maintenance manuals
- > Drawings
- > Spare part lists

FIRE STACKING BARRIER A-60



- ① Safety contact bar
- ② Guide
- ③ Safety bracket
- ④ Fall arrester
- ⑤ Siren with flashlight
- ⑥ Monitoring box
- ⑦ Receiver safety contact bar
- ⑧ Pneumatic reset system
- ⑨ Control unit
- ⑩ Release button
- ⑪ Key switch (1/ 0/ 2)
- ⑫ Transmitter safety contact bar

Technical details

Available materials:	> Galvanized steel
	> AISI 304
	> AISI 316L

Drive type:	Chain-drive
-------------	-------------

Size range

Min. size:	c/o 1.000 mm x c/h 1.000 mm
Max. size:	c/o 6.400 mm x c/h 3.778 mm c/o 5.355 mm x c/h 4.543 mm
Max. surface:	24 m ²

Fire Safety Products from KAEFER are used on more than 600 vessels (cruise ships, mega yachts, ferries).

The fire protection must give the emergency services the possibility to fight against the fire.

To ensure this, KAEFER offers an array of solutions, which meet the highest quality and safety standards for fire protection.

Contact

KAEFER Schiffsausbau GmbH
Getreidestr. 3
28217 Bremen

Mr. Jan-Timo Kolthammer
+49 421 6109 199
firedoors@kaefer.com

If you have any further questions, do not hesitate to contact us.

Power supply

Operation voltage:	400/440 V AC, 50/60 Hz
--------------------	------------------------

Closing speed

Max. 15 cm/s

Certification

Module B	MEDB00002EW
Module D	MEDD00000DN

All products complies the Hong Kong International Convention requirements.



www.kaefer.com



Product video